



**DuroSite® Series LED High Bay - CE Approved**  
for Indoor and Outdoor Industrial Applications



Patent Pending



stiftung  
elektro-altgeräte register®

ear

# DuroSite® LED High Bay



## Features & Benefits

- L70 rated for > 100,000 hours @ 25°C ambient
- 5 year full performance warranty standard
- 10 year full performance warranty available (17,500 lumen models only)
- Up to 102lm/W
- Significant energy savings
- Instant on/off
- Maintenance free
- Mercury free
- No UV or IR
- Produces minimal heat compared to traditional fixtures
- Reflector based optics for precise light control
- Resistant to shock and vibration
- Temperature compensation technology for long life
- Copper free aluminum
- Typical payback < 2 years



## Typical Applications

- Food and Beverage
- Heavy Industrial
- Manufacturing
- Pulp and Paper
- Fuel Pump Canopy
- Cold Storage
- Warehouse

**Gilbertson and Page**  
Manufacturing Facility

**MMD Shipping**  
Cold Storage Facility

**Paulaner**  
Brewery

View the full case studies at:

**Martisa** - [www.dialight.com/assets/brochures\\_and\\_catalogs/Illumination/mdexbrcx001.pdf](http://www.dialight.com/assets/brochures_and_catalogs/Illumination/mdexbrcx001.pdf)

**Gilbertson & Page** - [www.dialight.com/assets/brochures\\_and\\_catalogs/Illumination/mdexmognp001.pdf](http://www.dialight.com/assets/brochures_and_catalogs/Illumination/mdexmognp001.pdf)

**MMD Shipping** - [www.dialight.com/news/details/mmd\\_shipping](http://www.dialight.com/news/details/mmd_shipping)

**Paulaner** - [www.dialight.com/news/details/paulaner\\_led\\_high\\_bay\\_case\\_study](http://www.dialight.com/news/details/paulaner_led_high_bay_case_study)



Significantly smaller than traditional High Bay fixtures

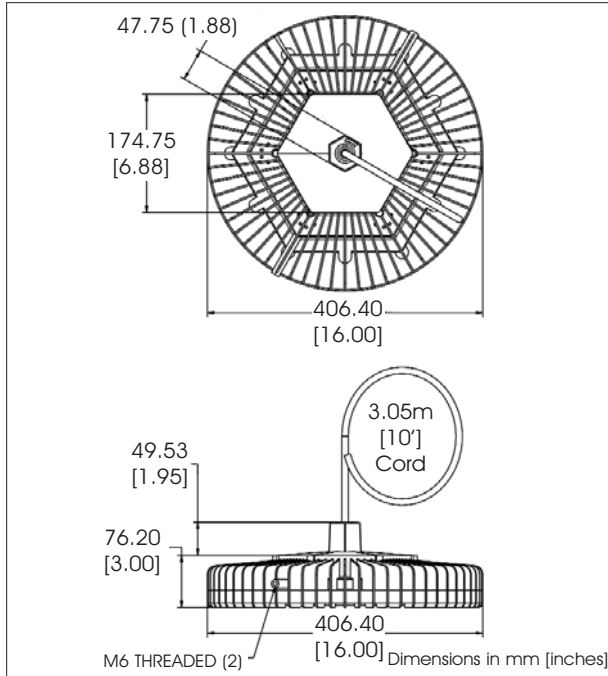
Complete your own Return on Investment calculation at: [www.dialight.com/tcoCalculator/Durosite\\_HighBay](http://www.dialight.com/tcoCalculator/Durosite_HighBay)

[www.dialight.com](http://www.dialight.com)



## DuroSite® Series LED High Bay

CE Approved



### Certifications & Ratings:

- CE - compliant  
EN 55015:2006 / EN 61547:2009 / EN 60598:2008
- EN 62471:2008
- Stiftung-EAR registration: DE 98207050
- Gost R approval
- IEC60068 salt spray testing- severity 1
- IK10 to EN50102 (polycarbonate lens)
- IK06 to EN50102 (Acrylic lens)
- IK05 to EN50102 (Glass lens)
- IP66 to EN60529

### Application:

The first of its kind, the Dialight DuroSite® LED High Bay luminaire was designed specifically to replace conventional lighting in a wide variety of industrial applications, both indoor and outdoor. Its low profile, light weight design and versatile mounting options make it ideal for many applications such as high bay lighting, warehouses, factories, cold stores, restricted access areas, service areas and other applications with mounting heights greater than 4 meters.

All of Dialight's long life LED luminaires are designed to meet the most demanding specification criteria while offering maximum energy savings, reduced maintenance costs, and a superior quality of light. Hazardous area versions are also available.

### Mechanical Information

Fixture Weight:	8 kg (18 lbs)
Shipping Weight:	11kg (24 lbs)
Mounting:	Hook - standard Swivel bracket
Cabling:	3m (6.5) PVC Power Cord

### Electrical specifications

Operating Voltage:	100-277V AC 230/240V AC only - Occupancy Sensor Version
--------------------	--

Total System Power Consumption:	See table
Operating Temp:	-40°C to +65°C (-40°F to +149°F)
Harmonics:	EN 61000-3-2
Surge Protection:	EN 61000-4-5 1 kV line to line 2 kV line to ground
THD:	<5% (120VAC) <10% (230/240VAC) <12% (277VAC)
Power Factor:	> 0.9

### Construction

Housing:	Copper free aluminium
Finish:	Light grey powder coated (RAL7001)
Lens:	Acrylic (PMMA) Polycarbonate (PC) Tempered Glass

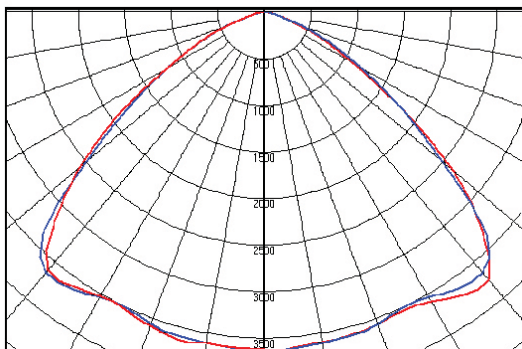
### Photometric Information

CRI:	70
CCT:	5,650K (cool white) 4,300K (neutral white)

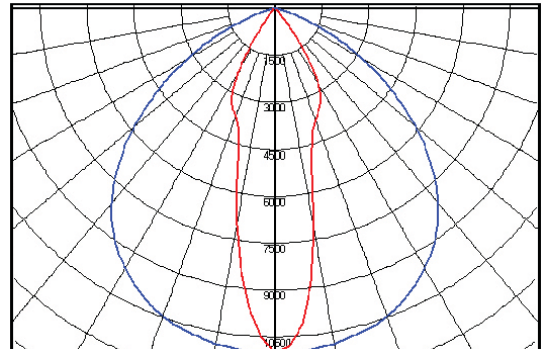
All values typical unless otherwise stated  
All Lumen Values are typical +/- 10%

## Polar Plots

### Circular Pattern



### Aisle Pattern



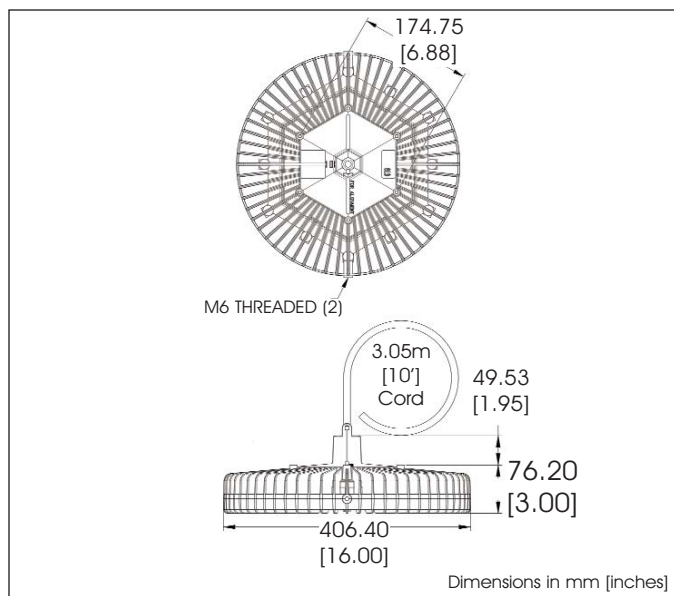
# DuroSite® LED High Bay Fixture Options and Accessories

## Variable Dimming Version: 0-10 VDC



### Application:

Dialight offers a series of High Bay products with ACTIVE Dimming. Dimming permits the user to select a specific light output and power consumption to meet their requirements. The reduction in light output and power consumption are approximately proportional. Reducing the light output by 50% will reduce the power consumption by 50%. LEDs are particularly well suited for dimming as compared to other industrial light sources.



Mechanical, Electrical and Photometric information is the same on page 1 except where detail is provided

**Variable Dimming Cable:** Dimming connections included in factory installed 5 core cable. Multiple high bays can be connected to the same dimmer, consult dimming instructions and manufacturer

**Variable Dimming Control:** 0-10 VDC active

**Typical Dimming Range:** 10 VDC = 100% light output  
0 VDC = 20% light output and power consumption

### Features and Benefits

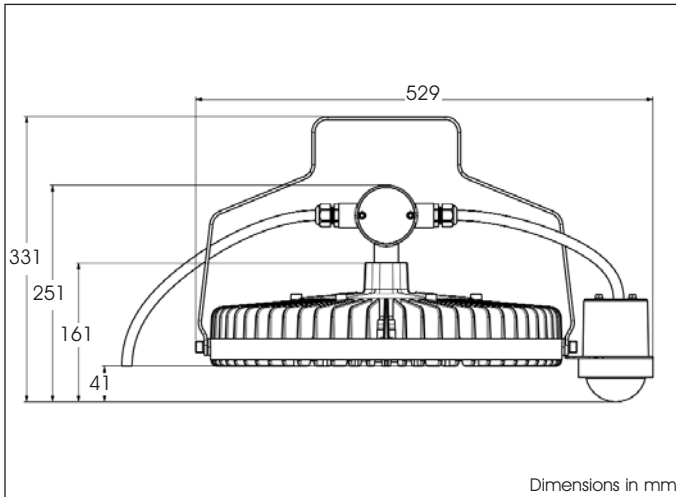
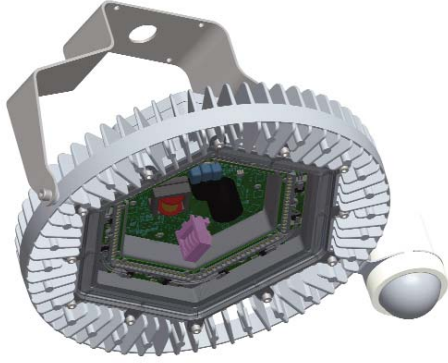
- 3 meter, 5 core PVC cable pre-installed
- Multiple High Bays can be connected to the same dimmer
- May also be configured to operate in a single STEP Dimming configuration, please consult technical department

### STEP Dimming Mode

The variable dimming High Bays may also be configured to operate in a single STEP Dimming configuration. When the dimming control conductors are connected together, the light output will be reduced to approximately 20% of the maximum light output. The total fixture power consumption will also be reduced to approximately 20% (30 W). Connecting the leads together can be accomplished with a common wall switch.

# DuroSite® LED High Bay Fixture

## Occupancy Sensor Version



Mechanical, Electrical and Photometric information is the same as on page 1 except where detail is provided

Weight: 8.4kg (18.5lbs)

Sensor Mounting: Cable input 3 metre 3 core cable fitted

Sensor Timing  
Non dimming version: 1,5,10,15 and 30mins.

Dimming version: On, Off, 1, 10, 30 and 60 mins.

Sensor operation: Dependant on application and height, please consult technical department

Operating voltage: 230/240 VAC only

Operating Temperature: -30°C + 50°C (-22°F + 122°F)

### Features and Benefits

- No additional electrical connections required for installation
- Once installed, the lights can be programmed and set up from the ground using the remote control (sold separately)
- Allows the user to maximise their energy savings by having the lights on only when they are needed

# DuroSite® LED High Bay Fixture

## Ordering Information

Part Number	Initial Fixture Lumens	Wattage	Lumens Per Watt	IP 66 to EN60529	Lens		Optical Pattern		Variable Dimming
					Clear	Diffused	Circular	Aisle	
10 Year Warranty									
HBGCMP-EUH-10YR	17,500	172	102	•	Tempered Glass		•		
HBGCMP-EUDH-10YR	17,500	172	102	•	Tempered Glass		•		•

Part Number	Initial Fixture Lumens	Wattage	Lumens Per Watt	IP66 to EN60529	Lens		Optical Pattern		
					Clear	Diffused	Circular	Aisle	
5 Year Warranty									
HBGCMP-EUH	17,500	172	102	•	Tempered Glass		•		
HBGC4P-EUH	14,500	161	90	•	Tempered Glass		•		
HB1C4N-EUH	11,500	146	79		Acrylic		•		
HB6C4N-EUH	11,500	146	79		Acrylic				•
HB4C4M-EUH	10,750	146	74	•	Polycarbonate				•
HB5C4N-EUH	10,750	146	74			Acrylic	•		
HB3C4N-EUH	10,750	146	74			Acrylic			•
HB0C4M-EUH	10,750	146	73	•	Polycarbonate		•		
HB7C4M-EUH	10,500	146	74	•		Polycarbonate			•
HB2C4M-EUH	10,000	146	68	•		Polycarbonate	•		

Occupancy Sensor High Bays									
HBGCMP-EUTOS	17,500	172	102	•	Tempered Glass		•		
HBGC4P-EUTOS	14,500	161	90	•	Tempered Glass		•		
HB1C4N-EUTOS	11,500	146	79		Acrylic		•		
HB6C4N-EUTOS	11,500	146	79		Acrylic				•
HB4C4M-EUTOS	10,750	146	74	•	Polycarbonate				•
HB5C4N-EUTOS	10,750	146	74			Acrylic	•		
HB3C4N-EUTOS	10,750	146	74			Acrylic			•
HB0C4M-EUTOS	10,750	146	73	•	Polycarbonate		•		
HB7C4M-EUTOS	10,500	146	74	•		Polycarbonate			•
HB2C4M-EUTOS	10,000	146	68	•		Polycarbonate	•		

Variable Dimming High Bays									
HBGCMP-EUDH	17,500	172	102	•	Tempered Glass		•		
HBGC4P-EUDH	14,500	161	90	•	Tempered Glass		•		
HB1C4N-EUDH	11,500	146	79		Acrylic		•		
HB6C4N-EUDH	11,500	146	79		Acrylic				•
HB4C4M-EUDH	10,750	146	74	•	Polycarbonate				•
HB5C4N-EUDH	10,750	146	74			Acrylic	•		
HB3C4N-EUDH	10,750	146	74			Acrylic			•
HB0C4M-EUDH	10,750	146	73	•	Polycarbonate		•		
HB7C4M-EUDH	10,500	146	74	•		Polycarbonate			•
HB2C4M-EUDH	10,000	146	68	•		Polycarbonate	•		

Occupancy Sensor with Dimming High Bay									
HB1C4N-EUTOSD	11,500	146	79		Acrylic		•		
HB6C4N-EUTOSD	11,500	146	79		Acrylic				•
HB4C4M-EUTOSD	10,750	146	74	•	Polycarbonate				•
HB5C4N-EUTOSD	10,750	146	74			Acrylic	•		
HB3C4N-EUTOSD	10,750	146	74			Acrylic			•
HB0C4M-EUTOSD	10,750	146	73	•	Polycarbonate		•		
HB7C4M-EUTOSD	10,500	146	74	•		Polycarbonate			•
HB2C4M-EUTOSD	10,000	146	68	•		Polycarbonate	•		

### Notes for all versions:

<sup>1</sup> Part numbers listed in the above table are cool white. For neutral white version replace the 4th character with N Ex: HB1C4N-EUH become HB1N4N-EUH

<sup>2</sup> Initial fixture lumens based on temperatures up to 45°C (113°F).

<sup>3</sup> When using oval/aisle output it is recommended that the stirrup bracket is used.





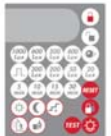
### Notes for standard versions only:

<sup>4</sup> Numbers listed in the tables above come with a flat lens. For models with polycarbonate flat lens they can be ordered with a polycarbonate dome lens; replace 3rd character with a L Ex: HB1C4N-EUH becomes HB1LC4N-EUH

<sup>5</sup> Numbers listed in the tables above come with a hook. For junction box models; add J after the 2nd character Ex: HB1C4N-EUH becomes HB1JC4N-EUH

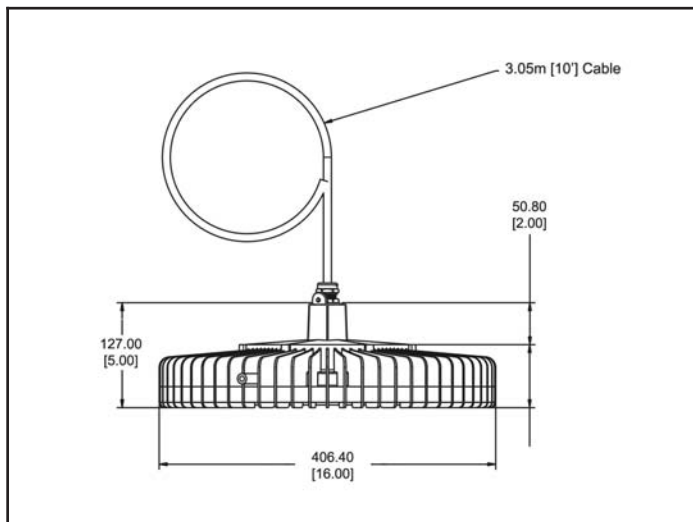
# DuroSite® Series LED High Bay Fixture

## Accessories

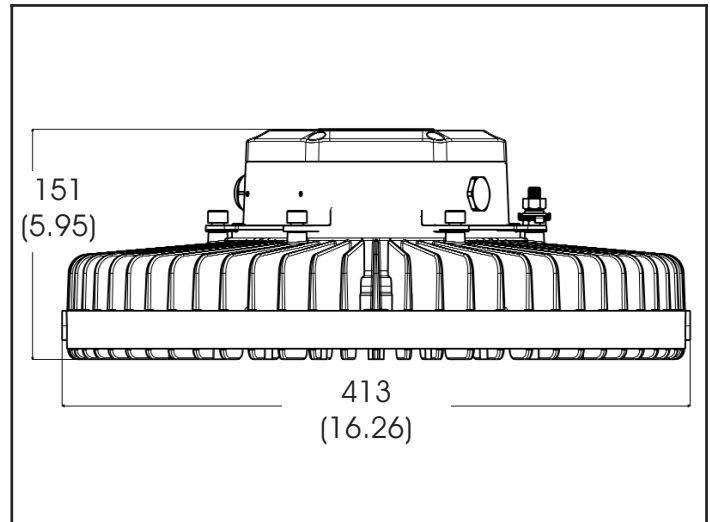
	Part Number	Description	Kit Includes
	HBXW3	Swivel Bracket Grey (RAL7001) powder coated aluminium (Interior or exterior use)	Swivel Bracket Bracket to fixture hardware
	HBXGS-10	Glare Shield - sets of 10 Grey (RAL7001) powder coated spun aluminium (Interior use only, for use with flat lens options)	Aluminium shield and securing hardware
	HBXSBK	Sand Blast Cover	Sand blast cover
	HBXSBDK	Domed Sand Blast Cover	Domed Sand Blast cover
	HBX-RCL	Non-dimming IR remote control	Remote control
	HBX-RCD	Dimming IR remote control	Remote control

## Mechanical Drawings

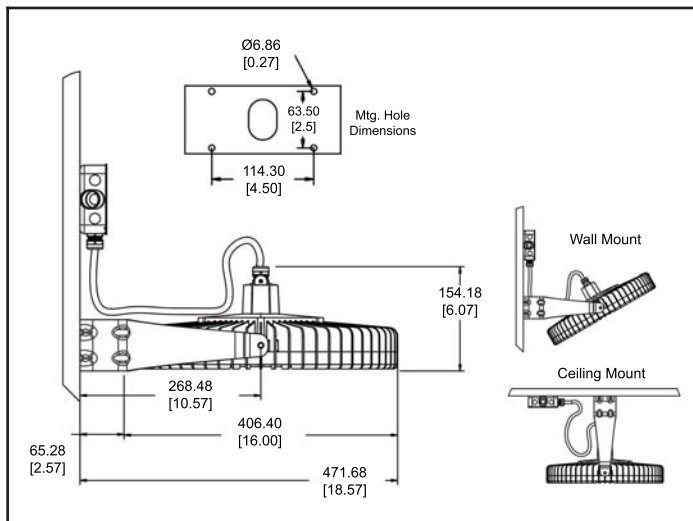
HBXX4X-EU



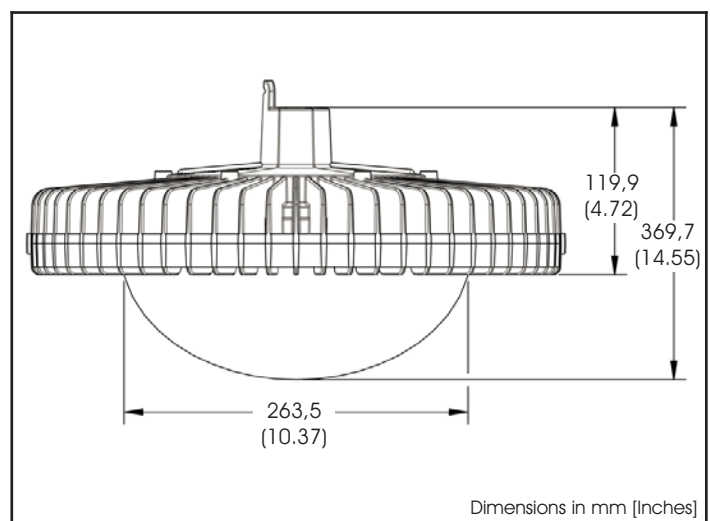
HBJXX4X-EU



HBXW3 - Swivel Bracket



HBLX4X-EU



Dialight reserves the right to make changes at any time in order to supply the best product possible. The most current version of this document will always be available at: [www.dialight.com/Assets/Brochures\\_And\\_Catalogs/Illumination/MDEXHBEU001.pdf](http://www.dialight.com/Assets/Brochures_And_Catalogs/Illumination/MDEXHBEU001.pdf)  
 Warranty Statement: EXCEPT FOR THE WARRANTY EXPRESSLY PROVIDED FOR [HEREIN/ABOVE/BELOW], DIALIGHT DISCLAIMS ANY AND ALL OTHER WARRANTIES, EXPRESS OR IMPLIED, INCLUDING, WITHOUT LIMITATION, ANY WARRANTIES OF MERCHANTABILITY, FITNESS FOR A PARTICULAR PURPOSE, TITLE, AND NONINFRINGEMENT.

**DuroSite® LED High Bay - CE Approved**  
for Indoor and Outdoor Industrial Applications



**CE** **PGT** stiftung **ear**  
elektro-altgeräte register®

[www.dialight.com](http://www.dialight.com)